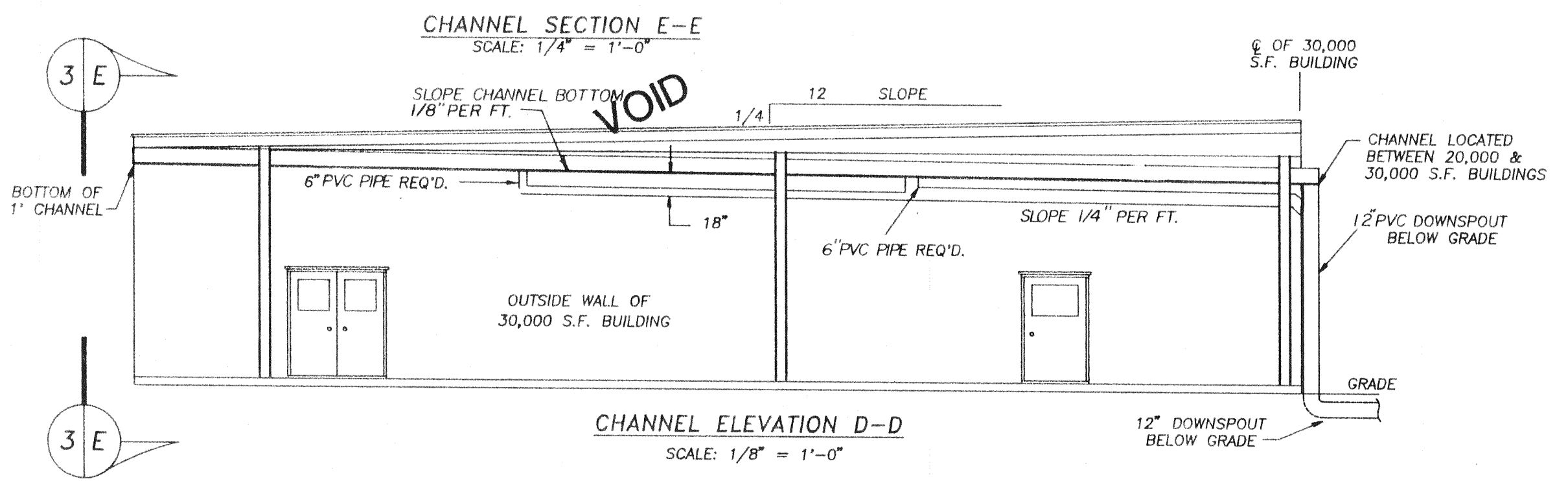
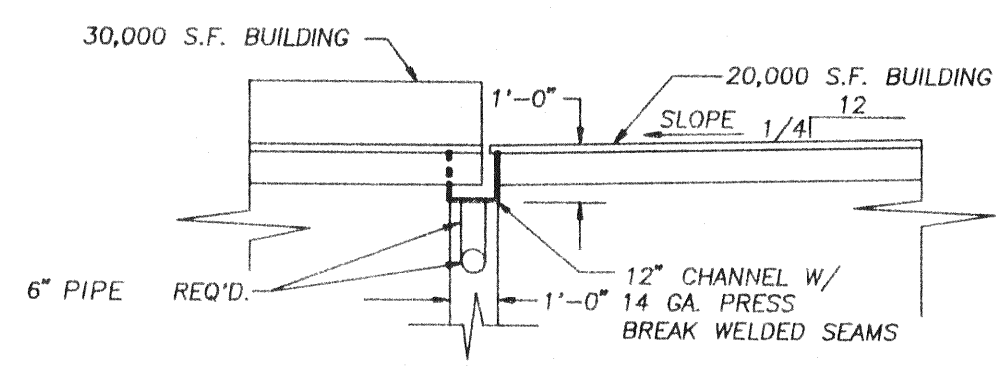


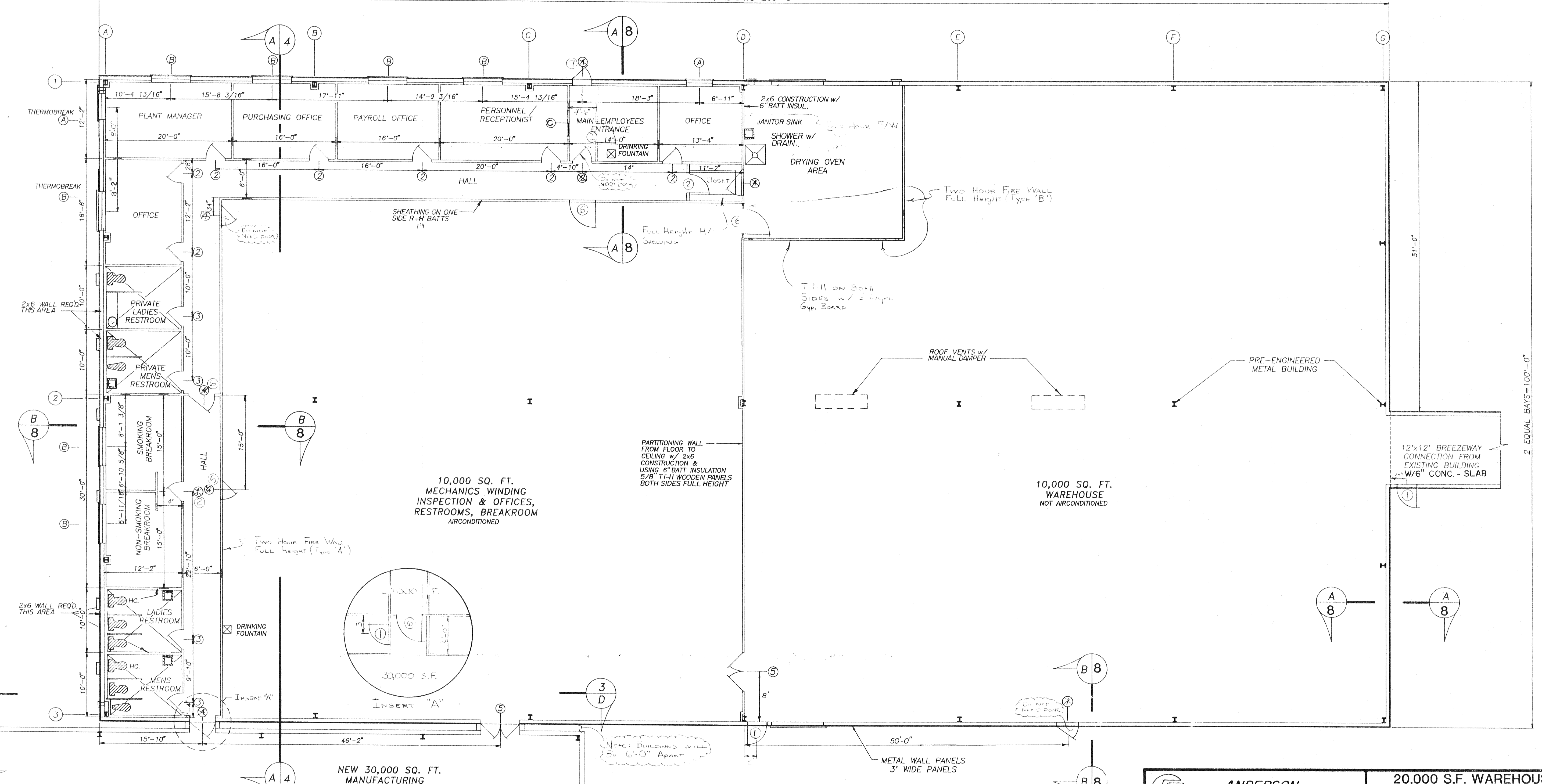
NO.	DATE	REVISION	BY
1	5-11-92	DOOR SCHEDULE WINDOW SCHEDULE FINISHING SCHEDULE	RAJ
2	5-11-92	DOOR LOCATIONS & TYPE	SGH
3	5-11-92	DOOR HALLWAY AT ENTRANCE DOOR	RAJ
4	5-11-92	BUILDINGS SET 6'-0" APART	RAJ



ROOM	CEILING HT.	FINISHING SCHEDULE						REMARKS
		TILE	CONCRETE	PANELING	GYPSUM BS	W.R. GYP. B.D.	METAL SIDING	
EMPLOYEES MENS R.R.	8'-0"	●						
EMPLOYEES LADIES R.R.	8'-0"	●						
BREAKROOM	8'-0"	●		●				
PRIVATE MENS R.R.	8'-0"	●						
PRIVATE LADIES R.R.	8'-0"	●						
MILL OFFICE	8'-0"	●		●				
PLANT MANAGERS OFFICE	8'-0"	●		●				
PURCHASING OFFICE	8'-0"	●		●				
PAYROLL OFFICE	8'-0"	●		●				
PERSONNEL/RECEPTIONIST	8'-0"	●		●				
MAIN EMPLOYEES ENTR.	8'-0"	●		●				
AUXILIARY OFFICE	8'-0"	●		●				
WAREHOUSE			●					
MANUFACTURING			●					
MECH. WINDING & INSP. HALL	8'-0"	●	●				●	

DOOR SCHEDULE								
DOOR NO.	MATERIAL	W	H	T	DOOR FINISH	DOOR FRAME	THRESHOLD	REMARKS
1	H.M.	36"	80"	1 3/4"	PAINT	H.M.	ALUM.	HALF GLASS, INSUL. W/ AUTO CLOSE
2	WOOD-H.C.	36"	80"	1 3/4"	PAINT	H.M.	NONE	FLUSH W/ FLOOR
3	WOOD-H.C.	36"	80"	1 3/4"	PAINT	H.M.	NONE	FLUSH
4	H.M.	44"	80"	1 3/4"	PAINT	H.M.	NONE	FLUSH W/ FLOOR, GLASS W/ AUTO CLOSE & LOCK
5	H.M.	64"	80"	1 3/4"	PAINT	H.M.	ALUM.	FLUSH DEL. DRS. W/ AUTO CLOSE
6	H.M.	48"	80"	1 3/4"	"	"	"	"

WINDOW SCHEDULE					
WDW. MK.	SIZE		TYPE	FRAME	GLAZING
	W	H			
A	48"	36"	HORIZ. SLIDE	ALUM.	INSUL. GL.
B	72"	36"	HORIZ. SLIDE	ALUM.	INSUL. GL.
C	36"	48"	"	"	"



FLOOR PLAN
SCALE: 1/8" = 1'-0"

ANDERSON ENGINEERS, P.A.		20,000 S.F. WAREHOUSE & OFFICE ADDITION FOR AMERICAN FABRICS CO.	
DRAWN: RAJ CHECKED: SGH APPROVED: RAJ	JOB NO.: 114C2001 DATE: MARCH, 1992 SCALE: 1/8" = 1'-0"	FLOOR PLAN	
			DRAWING NO.: 30F19